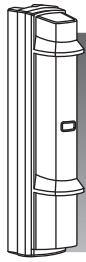


# INSTALLATION INSTRUCTIONS



## Smart Line™ series OPTION

### BACK COVER **BC-4**

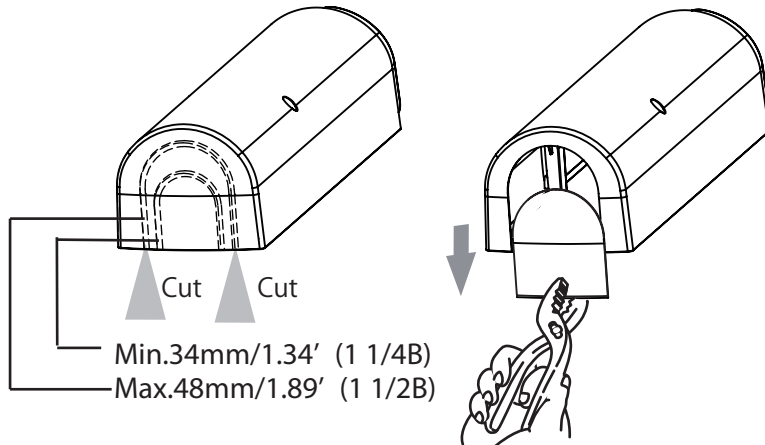
-Hide the pole and wiring on the back side of the detector for tidier appearance.

#### PARTS IDENTIFICATION

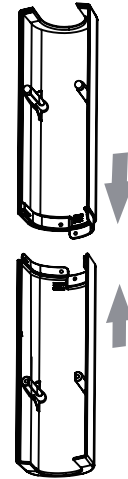
Cover : 4 , 4x20 Self tapping : 8

## 1 INTRODUCTION

### 1 Open the hole for the mounting pole.



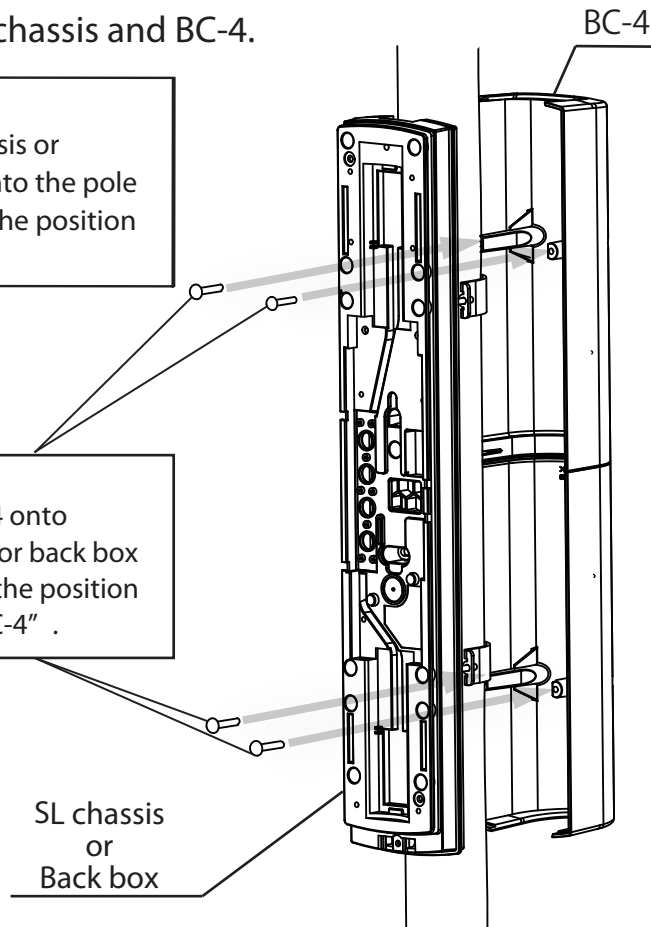
### 2 Joint both of BC-4.



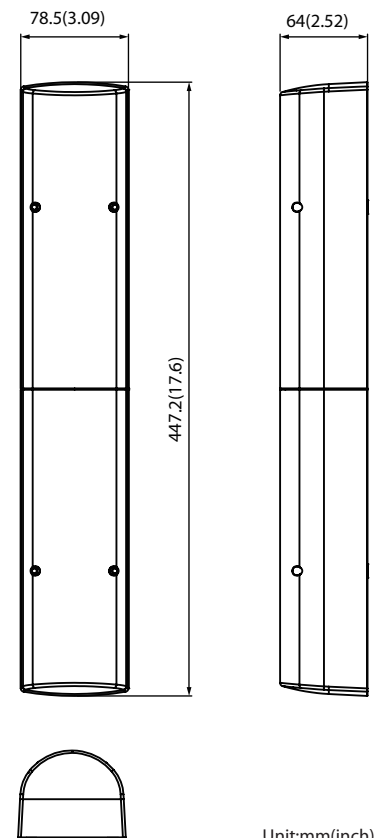
### 3 Fix the chassis and BC-4.

**Step 1**  
Fix the chassis or back box onto the pole with using the position POLE(1).

**Step 2**  
Fix the BC-4 onto the chassis or back box with using the position "POLE(2),BC-4" .



## 2 DIMENSIONS



**OPTEX CO., LTD. (JAPAN)**  
(ISO 9001 Certified)  
(ISO 14001 Certified)  
5-8-12 Ogoto Otsu  
Shiga 520-0101  
JAPAN  
TEL:+81-77-579-8670  
FAX:+81-77-579-8190  
URL:<http://www.optex.co.jp/e/>

**OPTEX INCORPORATED (USA)**  
TEL:+1-909-993-5770  
Tech:(800)966-7839  
URL:<http://www.optexamerica.com/>

**OPTEX (EUROPE) LTD. (UK)**  
TEL:+44-1628-631000  
URL:<http://www.optex-europe.com/>

**OPTEX SECURITY SAS (FRANCE)**  
TEL:+33-437-55-50-50  
URL:<http://www.optex-security.com/>

**OPTEX SECURITY Sp.z o.o. (POLAND)**  
TEL:+48-22-598-06-55  
URL:<http://www.optex.com.pl/>

**OPTEX KOREA CO., LTD. (KOREA)**  
TEL:+82-2-719-5971  
URL:<http://www.optexkorea.com/>

**OPTEX (DONGGUAN) CO., LTD. SHANGHAI OFFICE (CHINA)**  
TEL:+86-21-34600673  
URL:<http://www.optexchina.com/>